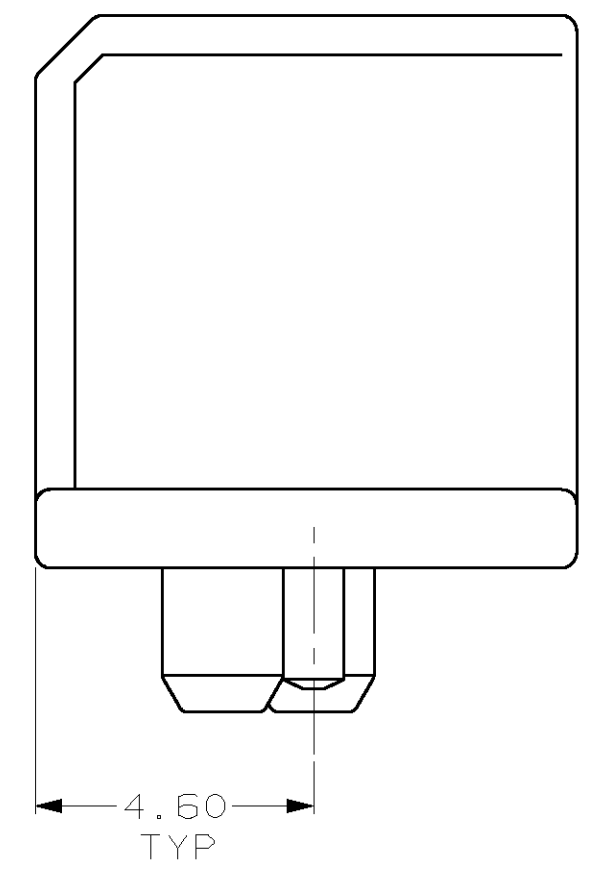
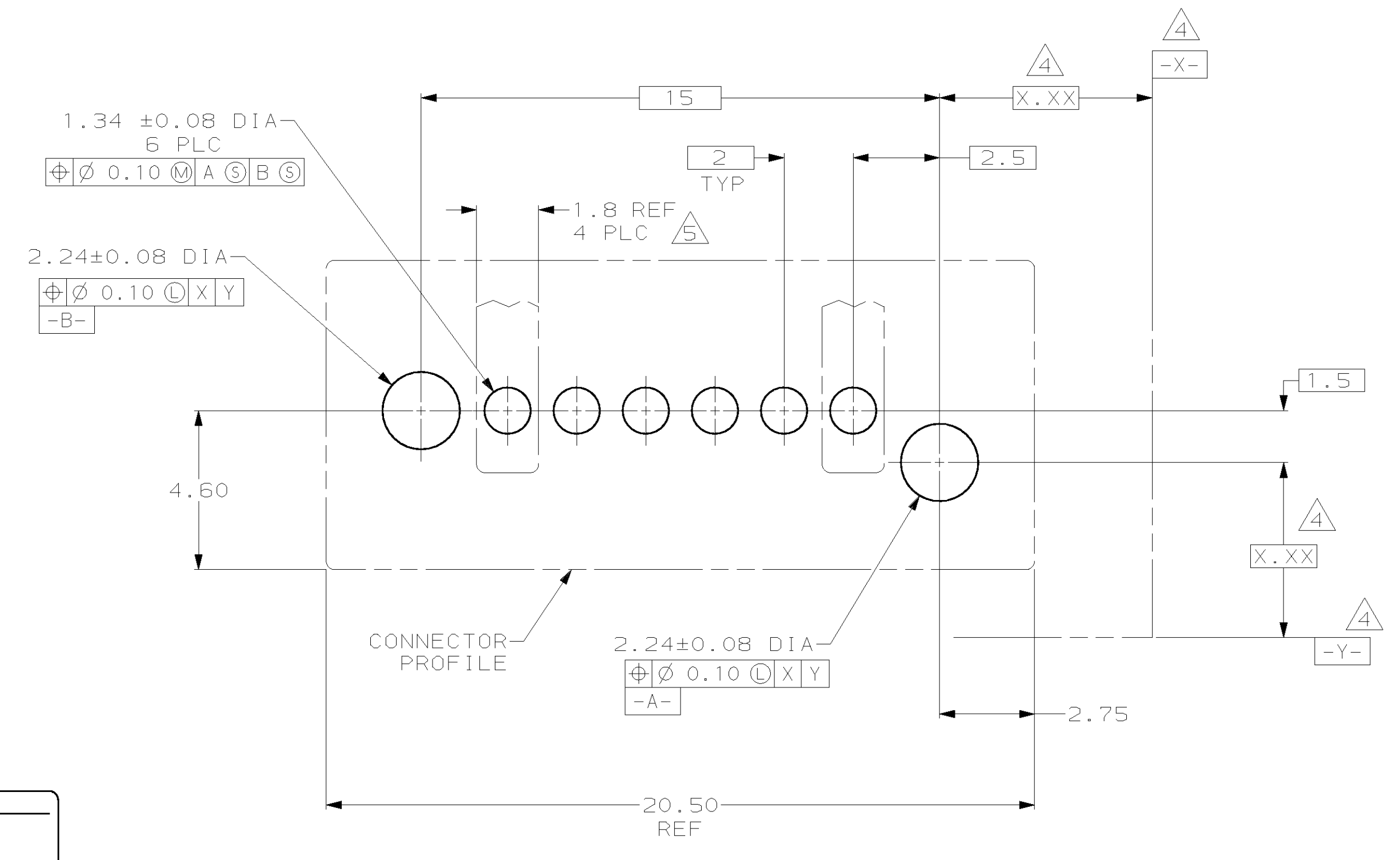
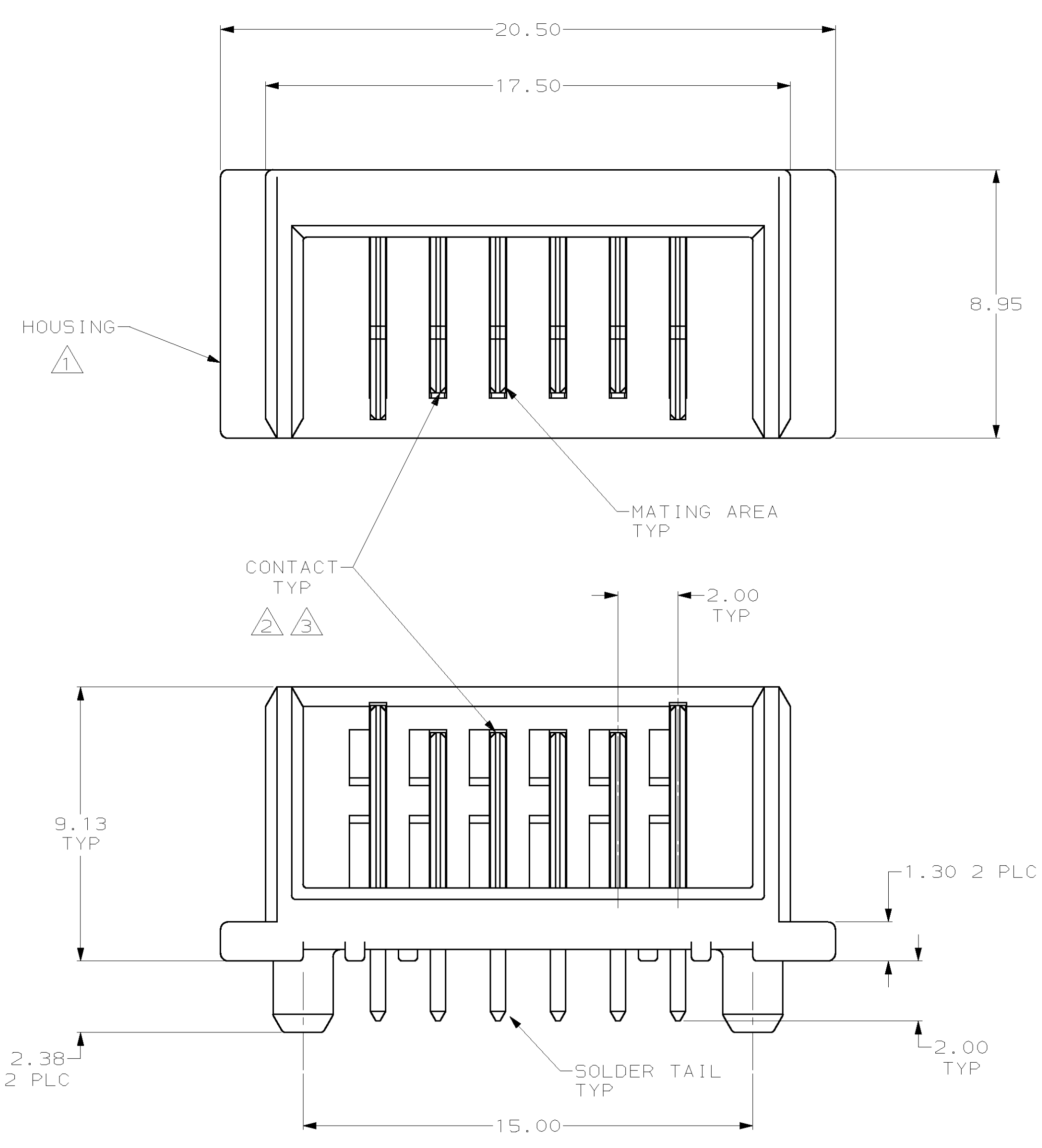


REV	DATE	DESCRIPTION	DATE	OWN	APPROV
B	14 MAR 97	REV PER 0410-0189-96	14 MAR 97	JR	CB
C	29 MAR 99	REV PER EC 061C-0036-99	29 MAR 99	CD	KD
D	30 MAR 99	REV PER EC 061C-0056-99	30 MAR 99	CD	KD



P.C. BOARD MOUNTING DIMENSIONS

- 1 SPS, UL 94V-0 RATED, BLACK.
- 2 BRASS.
- 3 .076µm MINIMUM GOLD OVER 0.76µm MINIMUM PALLADIUM NICKEL ON MATING AREA, 3.80µm MINIMUM TIN-LEAD ON SOLDER TAIL, ALL OVER 1.27 µm MINIMUM NICKEL.
- 4 DATUMS AND DIMENSIONS ESTABLISHED BY CUSTOMER.
- 5 RECOMMENDED MINIMUM TRACE WIDTH FOR END POSITIONS WHEN CARRYING 3 AMPS: 1.8 WIDE x 55µm THICK, BOTH SIDES.

787531-1
PART NUMBER

<small>THIS DRAWING IS A CONTROLLED DOCUMENT AND IS UNPUBLISHED. IT IS SUBJECT TO CHANGE AND THE CONTROLLING ENGINEERING DEPARTMENT SHALL BE CONTACTED FOR THE LATEST REVISION.</small>		DWN: R. S. KLINE 07-05-95 CHK: R. S. KLINE 07-11-95 APP'D: R. S. KLINE 07-11-95 PRODUCT SPEC:	AMP AMP Incorporated Harrisburg, PA 17105-3608
DIMENSIONS: mm 	TOLERANCES UNLESS OTHERWISE SPECIFIED: 0 PLC ±.01 1 PLC ±.01 2 PLC ±.013 3 PLC ±.01 4 PLC ±.01 ANGLES ±.5°	APPLICATION SPEC:	SIZE: A1 CAGE CODE: 00779 DRAWING NO: C=787531
MATERIAL: SEE CALLOUTS	FINISH: SEE CALLOUTS	WEIGHT: -	SCALE: 8:1 SHEET: 1 OF 1 REV: D